

# Major



Major Manu



Major Alpha Auto

## Inclined Moulder

### Use

The Major moulders are machines designed to mould and extend dough pieces. With their variants and options, they fit on a stand, dough piece rest, table and out-feed conveyor, and fully integrate into semi-automatic and automatic first proofer units.

Centred by an infeed gutter (model Major) or dragged by a laminated plan (model Major Alpha), the dough piece is easily and accurately laminated and moulded through two antiadhesive coated cylinders, then rolled under a load conveyor. The use of a sheeting belt with an inclined and adjustable support from horizontal to 40° (model Major Alpha) provides more speed to the laminating/sheeting operation.

The smooth and gradual moulding process is carried out between two wool felt conveyor belts rotating in reverse direction.

Grouping the controls and safety features favours a using comfort. Easy setting thanks to human oriented handles fitted with indicators. Low noise level (58 dBA) favours good working atmosphere.

### Construction

- Cast aluminium frame
- Fired, epoxy painted cladding and in-feed chute
- ABS casing
- Grooved belt drive
- Quiet running
- NF HSA label
- Moulding belt 100 % pure wool treated with water repellent
- Specification depending on use
- Tilttable sheeting belt (model Major Alpha)
- Right-hand control as standard
- Optional left-hand electrical controls, pinning and stretching
- Electrical control box on Manu and Standard model, optional on Auto
- Supply voltage : 3 PH + N 400 V 50 Hz

Non contractual photograph


Reference	Model
29800333	Major Manu
29800373	Major Auto
29800353	Major Alpha Manu
29800363	Major Alpha Auto

### Options

Reference	Description
29800421	Electrical control for Major Auto (to be provided on installation made before 1 July 96, on ECP proofer or concurrent)
29800831	Felt drying fan only for RTM intermediate proofer
29800431	Manual and electrical control on the left

### Accessories

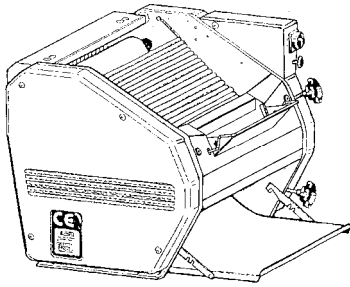
Reference	Description
29800401	Stand with castors
29800601	Stand packed with 6 wooden planks
29800811	Major auto moulder control extension located at left

Machine complies with  regulations

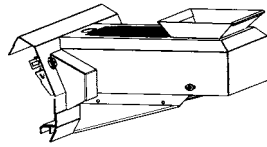


32, route de Wolfisheim - F-67810 Holtzheim  
Tél : 33 (0)3.88.78.00.23 - Fax : 33 (0)3.88.76.19.18  
www.bongard.fr - bongard@bongard.fr

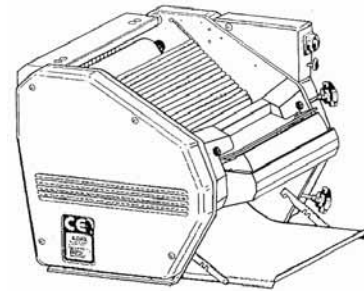
## Major moulder



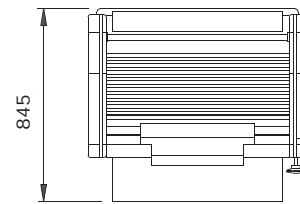
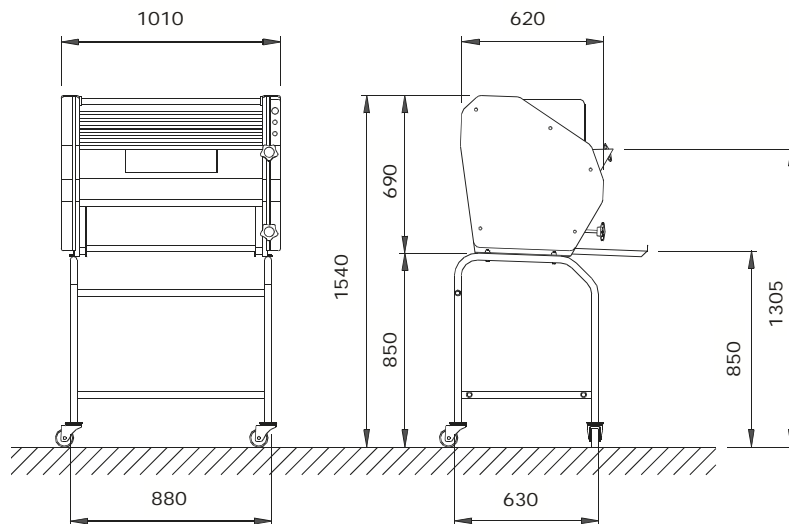
Major manu



Major Auto



Major Alpha manu



### General features

Model		Major Manu	Major Auto	Major Alpha Manu	Major Alpha Auto
Reference		29800333	29800373	29800353	29800363
Possible combination		On stand, table, first prover	On RTM provers	On stand, table, first prover	Delta 70 ECP
Electrical control		Yes	Optional	Yes	Option - Obligatory with ECP
Dough piece loading	manual	Yes	No	Yes	Yes
	automatic	Yes	Yes	Yes	Yes
Safety dev	touch bar	Yes	No	Yes	Yes
Feed conveyor 450 mm		No	Yes	No	No
Dough piece out-feed	on trays	Yes	No	Yes	No
	on out-feed belt	No	Yes	No	Yes
Performances		1500 p/h	1800 p/h	+ 1500 p/h	2000 p/h
Dough piece weight	mini to maxi	80 to 1000 g	80 to 1000 g	80 to 1000 g	80 to 1000 g
Motor power		0.55 kW	0.55 kW	0.55 kW	0.55 kW

### Dimensions and weight

Width x depth		1010 x 800 mm	1010 x 1250 mm	1010 x 780 mm	1010 x 780 mm
Height		690 mm	690 mm	690 mm	690 mm
Loading height		1350 mm	1450 mm	1300 mm	1350 mm
Output height		880 mm	940 mm	880 on stand	940 on TE
Net weight		132 kg	150 kg	142 kg	140 kg

### Packing

	Model	Major Manu	Major Auto	Major Alpha Manu	Major Alpha Auto
Land	Width	1030 mm	1030 mm	1030 mm	1030 mm
	Length	880 mm	880 mm	880 mm	880 mm
	Height	890 mm	1300 mm	890 mm	890 mm
	Weight	160 kg	180 kg	170 kg	170 kg
Sea (Crate)	Model	Major Manu	Major Auto	Major Alpha Manu	Major Alpha Auto
	Width	1110 mm	1110 mm	1110 mm	1110 mm
	Length	1050 mm	1050 mm	1050 mm	1050 mm
	Height	980 mm	1300 mm	980 mm	980 mm
	Weight	210 kg	240 kg	220 kg	220 kg